

# DAILY €6 TRADIE-MADE SPECIFICATIONS



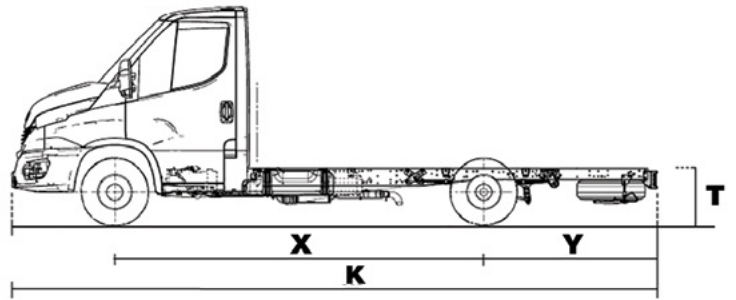
**IVECO**

Your partner for sustainable transport

# DAILY SPECIFICATIONS 45C SINGLE CAB CHASSIS

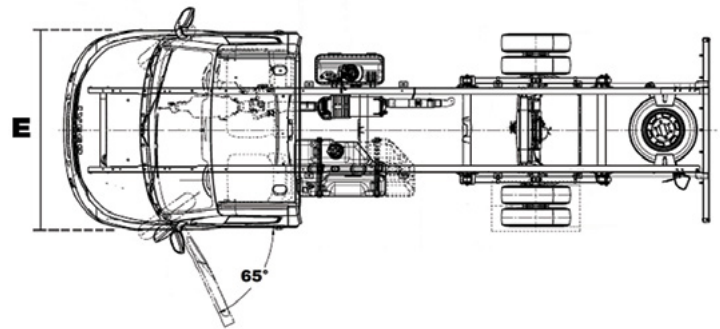
## DIMENSIONS (mm)

	45C18 Single Cab Euro VI	
<b>X</b> Wheelbase	3000	3750
<b>K</b> Overall length	5418	6593
<b>H</b> Overall height – unladen	2279	2264
<b>O</b> Front track	1724	1724
<b>N</b> Rear track	1542	1542
<b>T</b> Unladen frame height at end of frame	820	820
Front ground clearance	182	182
Rear ground clearance	168	168
<b>Y</b> Rear overhang with fitted tray	1579 with tray fitted	1828 with tray fitted
<b>E</b> Overall width (Cab)	2010	2010
Turning circle kerb to kerb	11116	13466
Turning circle wall to wall	11730	14090



## MASS (kg)

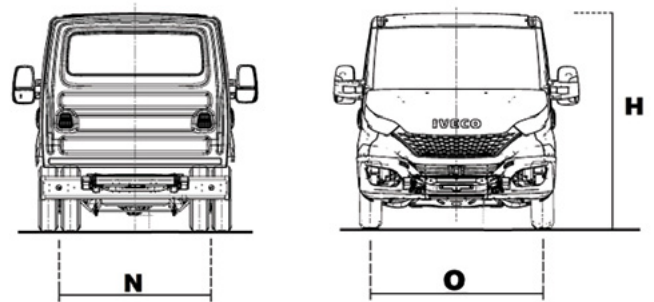
	45C18 Single Cab Euro VI	
GVM	4495	4495
GCM	7995	7995
Towing capacity with braked trailer	3500	3500
Front axle capacity	2100	2100
Rear axle capacity	3400	3400
Kerb mass front axle	1406	1444
Kerb mass rear axle	695	691
Kerb mass total*	2101	2135
Payload capacity	2274	2188



\* Kerb masses are with minimal fuel, spare wheel, tools and no driver

## TRAY DIMENSIONS (MM)

	3173 Tray	4223 Tray
Internal width	2057	2057
External width	2218	2218
Internal length	3000	4050
Overall tray length	3173	4223
Internal load restraint points	10 per side	12 per side



# DAILY SPECIFICATIONS

## ENGINE

180EVID FIC Euro 6 Heavy Duty engine with variable geometry turbine (VGT)

**Maximum Output:** 132 kW (180 HP) @ 3500 rpm

**Maximum Torque:** 430 Nm (317 ft-lbs) @ 1500 rpm

**Emissions Technology:** Exhaust Gas Recirculation and Selective Catalytic Reduction

**Total Displacement:** FIC: 3.0 litre

**Exhaust:** Muffler horizontally positioned on the right side and tailpipe located mid-way down right side of vehicle

## TRANSMISSION

8-speed ZF Torque Converter Automatic (Hi-Matic 8HP70L)

**Type:** 8HP70L. 1st 4.696, 2nd 3.130, 3rd 2.104, 4th 1.667, 5th 1.285, 6th 1, 7th 0.839 -O.D. 8th 0.667 - D.O.D, rev. 3.297

## STEERING

**Type:** Hydraulic power steering

**Diameter:** 380 mm diameter steering wheel with telescopic adjustment

## FRONT AXLE & SUSPENSION

**Capacity:** 2100 kg

**Suspension Type:** Independent with adjustable steel torsion bar

## REAR AXLE & SUSPENSION

**Capacity:** 3400 kg

**Rear axle ratio:** 3.91: 1

## SAFETY

- **ESP9** - includes ABS (Antilock Braking System), EBD (Electronic Brake force Distribution), ASR (Anti Slip Regulator), MSR (Motor Drag torque control) Hill Holder (Assisted uphill departure), HBA (Hydraulic Brake Assist), LAC (Load Adaptive Control), TSM (Trailer sway mitigation), RMI (Roll Movement Intervention), ROM (Roll Over Mitigation) & Crosswind assist
- Four SRS airbags
- Advanced Emergency Braking System (AEBS)

## BRAKES

**Front / Diameter:** Disc brakes / 290 mm

**Parking brake:** Electronic

**Service brakes:** Full ABS disc brakes with floating calipers with auto wear adjustment. Hydraulically operated with vacuum servo assistance. Interdependent dual circuit configuration. Low Brake fluid level indicator - front & rear pad wear sensors. Asbestos free pads.

## FUEL SYSTEM

100 litres with fuel cap location on passenger side (70 litres on 3000mm wheelbase)

20 litre Adblue

## ELECTRICAL SYSTEM

**Type:** 12V

**Battery:** 12V-110 Ah (Smart-charging)

**Smart Alternator:** 12V-220 A

**Trailer Wiring:** Wiring to rear of chassis

## CHASSIS

**Type:** C Section steel longitudinal side members and tubular cross members

## WHEELS & TYRES

**Wheels:** Steel 5J x R16

- Spare wheel included - positioned under chassis
- Dual rear wheels

**Tyre Size:** 195/75 R16

## CABIN FEATURES

- Driver, passenger and curtain airbags with seat belt pretensioners
- Suspended, heated and fully adjustable driver seat with armrest
- Bench seat with two occupant capacity, under seat storage and fold down table
- Adaptive cruise control
- Electric windows
- Exterior mirrors with integrated wide angle and direction indicators, heated and electronically adjustable
- Overhead console with storage shelf
- Large dual storage pockets in doors
- Document storage compartment
- Body builder connections
- 2 cup and 2x bottle holders
- Air conditioning
- Electronic parking brake
- Ecoswitch Pro
- 2 spotlights
- 4 loud speakers
- Reverse buzzer

## LIGHTS

- Daytime running lights
- Fog lights

## DASHBOARD

- 3.5" TFT display and silver dial rings
- TFT Display Panel includes: digital speedometer, ADAS (Advanced Driver-Assistance Systems) dashboard, ADAS quick menu, oil, battery and service information. Navigation and phone multimedia with Apple CarPlay and Android Auto, fuel economy, trip computer, vehicle settings, display settings and diagnostics.
- Instrument light dimmer switch
- Dash-mounted gear lever
- 3 storage areas on top of dash
- MP3 player, USB and AUX connectivity, Bluetooth with steering wheel controls
- Inductive phone charger

## SECURITY

- Central locking with remote control
- Steering lock
- Engine immobiliser

## TRAY FEATURES

- Australian-made, heavy duty aluminium construction
- Window protector and tube headboard
- Split drop-sides on 4.2m tray; one-piece on 3.1m tray
- Rope rails
- Front corner step
- Internal load restrain points



iveco.com.au

# IVECO

Your partner for sustainable transport

